

Interchange Unit Type280 (G531)

PARTS CATALOG

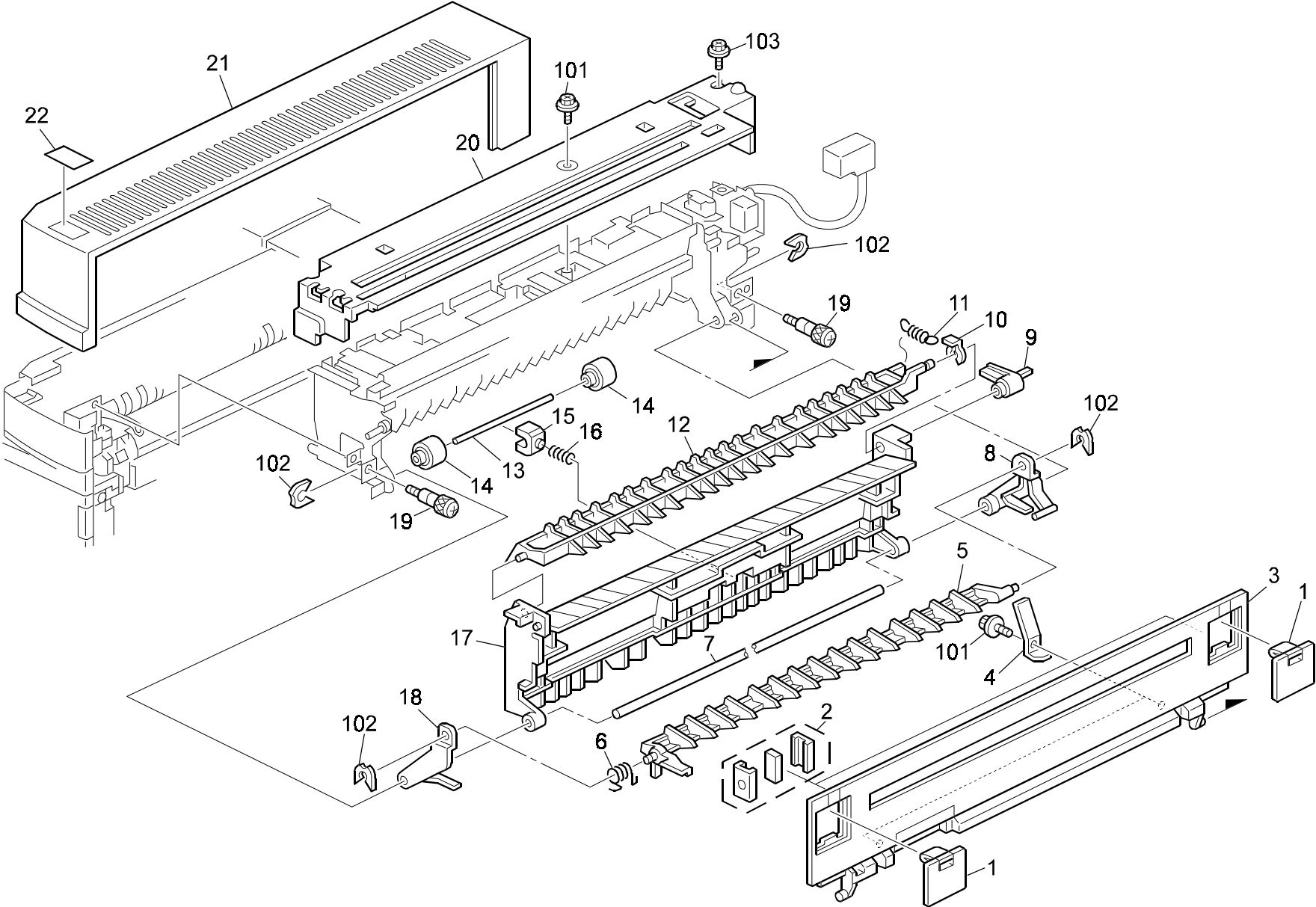
INTRODUCTION

This chapter instructs you the numbers and names of parts on this machine.

INDEX to PARTS CATALOG

1.INTERCHANGE UNIT 1 (G531).....	2
2.INTERCHANGE UNIT 2 (G531).....	4
PARTS INDEX	7

1.INTERCHANGE UNIT 1 (G531)

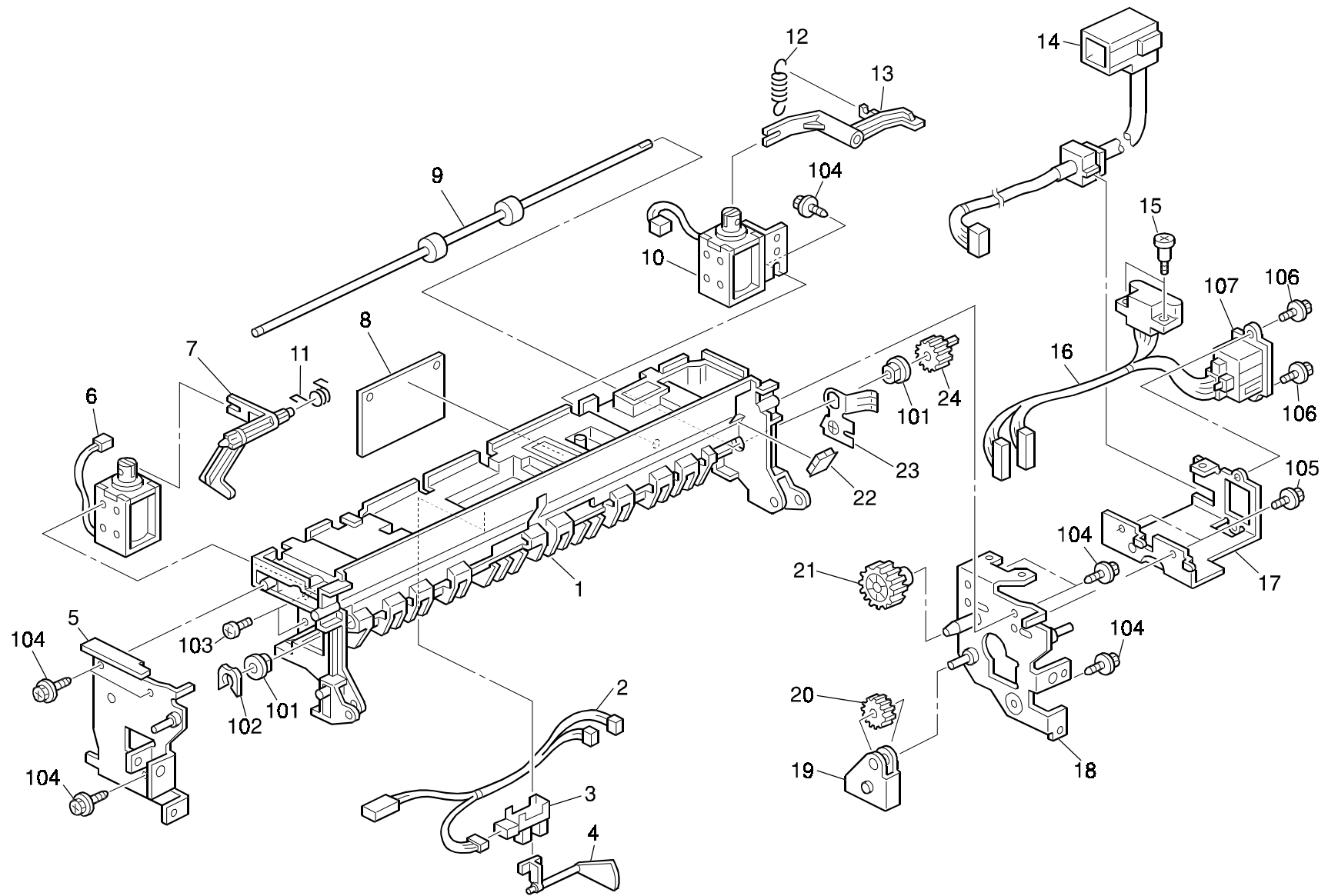


1.INTERCHANGE UNIT 1 (G531)

Index No.	Part No.	Description	Q'ty Per Assembly
1	G020 1351	Cap - Finisher	2
2	AG07 0014	Magnet Catch	1
3	B300 4582	Cover Gate	1
4	B300 4584	Spring Plate Guide Plate	2
5	B300 4571	Gate Pawl Lower	1
6	AA06 6314	Gate Pawl Lower Spring	1
7	B300 4574	Shaft Guide Plate	1
8	B300 4572	Arm Gate Pawl Lower Rear	1
9	B300 4569	Lever Gate Pawl Upper	1
10	5447 2681	Snap Ring	1
11	AA06 0794	Link Spring	1
12	B300 4568	Gate Pawl Upper	1
13	AA14 5818	Tension Roller Shaft	1
14	B300 4566	Roller Tension	2
15	AA08 0156	Bushing - M4	1
16	5205 4527	Spring - Exit	1
17	B300 4562	Guide Plate	1
18	B300 4573	Arm Gate Pawl Lower Front	1
19	AA14 3506	Knob Screw	2
20	G531 4598	Small Gate Cover	1
21	G531 4597	Large Gate Cover	1
22	G531 4599	Decal - Interchange Cover	1

Index No.	Part No.	Description	Q'ty Per Assembly
101	0450 3008B	Tapping Screw - M3x8	
102	0805 0089	Retaining Ring - M4	
103	0451 3008B	Tapping Screw - M3x8	

2.INTERCHANGE UNIT 2 (G531)



2.INTERCHANGE UNIT 2 (G531)

Index No.	Part No.	Description	Q'ty Per Assembly
1	B300 4501	Frame Gate	1
2	G531 5291	Gate Solenoid Harness	1
3	AW02 0086	Photointerruptor	1
4	B300 4516	Feeler Photointerruptor	1
5	G531 4539	Front Side Plate	1
6	B300 4511	DC Solenoid Gate Pael Lower	1
7	B300 4512	Link Gate Pawl Lower	1
8	G531 5181	PCB - Bank Control	1
9	B300 4542	Transport Roller	1
10	B300 4506	DC Solenoid Gate Pawl Upper	1
11	AA06 6330	Spring- Lowergate Pawl	1
12	AA06 0794	Link Spring	1
13	B300 4508	Line Gate Pawl Upper	1
14	G531 5292	Gate Harness	1
15	A079 3626	Stepped Screw - Swing Cleaning	1
16	G531 5295	4-Bin Harness	1
17	G531 4593	Connector Bracket	1
18	B300 4525	Side Plate Rear	1
19	B300 4521	Gear Swivel Gate Ass'y	1
20	AB01 1408	Idler Gear - Small	1
21	AB01 1407	Idler Gear - Large	1
22	AA16 1143	Link Cushion	1
23	B300 4533	Spring Plate Gear Swivel	1
24	AB01 1405	Transport Roller Gear	1

Index No.	Part No.	Description	Q'ty Per Assembly
101	0805 3480	Bushing - 6mm	
102	0805 0089	Retaining Ring - M4	
103	0353 0050B	Philips Truss Head Screw - M3x5	
104	0450 3008B	Tapping Screw - M3x8	
105	0451 3006B	Tapping Screw - M3x6	
106	0451 3008H	Tapping Screw - 3x8	
107	1102 8081	Interface Connector - Interchange	

PARTS INDEX

Part No.	Description	Page and Index No.
G531 4539	Front Side Plate	5- 5
G531 4593	Connector Bracket	5- 17
G531 4597	Large Gate Cover	3- 21
G531 4598	Small Gate Cover	3- 20
G531 4599	Decal - Interchange Cover	3- 22
G531 5181	PCB - Bank Control	5- 8
G531 5291	Gate Solenoid Harness	5- 2
G531 5292	Gate Harness	5- 14
G531 5295	4-Bin Harness	5- 16

Part No.	Description	Page and Index No.
AA06 0794	Link Spring	5- 12
AA06 0794	Link Spring	3- 11
AA06 6314	Gate Pawl Lower Spring	3- 6
AA06 6330	Spring- Lowergate Pawl	5- 11
AA08 0156	Bushing - M4	3- 15
AA14 3506	Knob Screw	3- 19
AA14 5818	Tension Roller Shaft	3- 13
AA16 1143	Link Cushion	5- 22
AB01 1405	Transport Roller Gear	5- 24
AB01 1407	Idler Gear - Large	5- 21
AB01 1408	Idler Gear - Small	5- 20
AG07 0014	Magnet Catch	3- 2
AW02 0086	Photointerruptor	5- 3
B300 4501	Frame Gate	5- 1
B300 4506	DC Solenoid Gate Pawl Upper	5- 10
B300 4508	Line Gate Pawl Upper	5- 13
B300 4511	DC Solenoid Gate Pael Lower	5- 6
B300 4512	Link Gate Pawl Lower	5- 7
B300 4516	Feeler Photointerruptor	5- 4
B300 4521	Gear Swivel Gate Ass'y	5- 19
B300 4525	Side Plate Rear	5- 18
B300 4533	Spring Plate Gear Swivel	5- 23
B300 4542	Transport Roller	5- 9
B300 4562	Guide Plate	3- 17
B300 4566	Roller Tension	3- 14
B300 4568	Gate Pawl Upper	3- 12
B300 4569	Lever Gate Pawl Upper	3- 9
B300 4571	Gate Pawl Lower	3- 5
B300 4572	Arm Gate Pawl Lower Rear	3- 8
B300 4573	Arm Gate Pawl Lower Front	3- 18
B300 4574	Shaft Guide Plate	3- 7
B300 4582	Cover Gate	3- 3
B300 4584	Spring Plate Guide Plate	3- 4
G020 1351	Cap - Finisher	3- 1
G531 4539	Front Side Plate	5- 5

Part No.	Description	Page and Index No.
G531 4593	Connector Bracket	5- 17
G531 4597	Large Gate Cover	3- 21
G531 4598	Small Gate Cover	3- 20
G531 4599	Decal - Interchange Cover	3- 22
G531 5181	PCB - Bank Control	5- 8
G531 5291	Gate Solenoid Harness	5- 2
G531 5292	Gate Harness	5- 14
G531 5295	4-Bin Harness	5- 16

Part No.	Description	Page and Index No.
A079 3626	Stepped Screw - Swing Cleaning	5- 15

Part No.	Description	Page and Index No.
5205 4527	Spring - Exit	3- 16
5447 2681	Snap Ring	3- 10

Part No.	Description	Page and Index No
0353 0050B	Philips Truss Head Screw - M3x5	5-103
0450 3008B	Tapping Screw - M3x8	3-101
0450 3008B	Tapping Screw - M3x8	5-104
0451 3006B	Tapping Screw - M3x6	5-105
0451 3008B	Tapping Screw - M3x8	3-103
0451 3008H	Tapping Screw - 3x8	5-106
0805 0089	Retaining Ring - M4	3-102
0805 0089	Retaining Ring - M4	5-102
0805 3480	Bushing - 6mm	5-101
1102 8081	Interface Connector - Interchange	5-107